

Right Angle Wall Mount Camera Bracket

Model: VSBKTB302S

Technical Specifications

Heavy duty, powder coated aluminium right angle wall mount bracket for surveillance cameras.

Model: VSBKTB302S	
Materials	Aluminium
Dimensions	134 x 134 x 188mm
Pipe Thread	1½" PF
Operating Conditions	-40° ~ 60°C / 90% RH (max)
Load Bearing Capacity	3.0kg
Weight	0.70kg

Product specifications and bracket compatibility are subject to change.



Bracket Compatibility

This bracket is compatible with the following cameras from VIP Vision and/or Securview Victory Series.

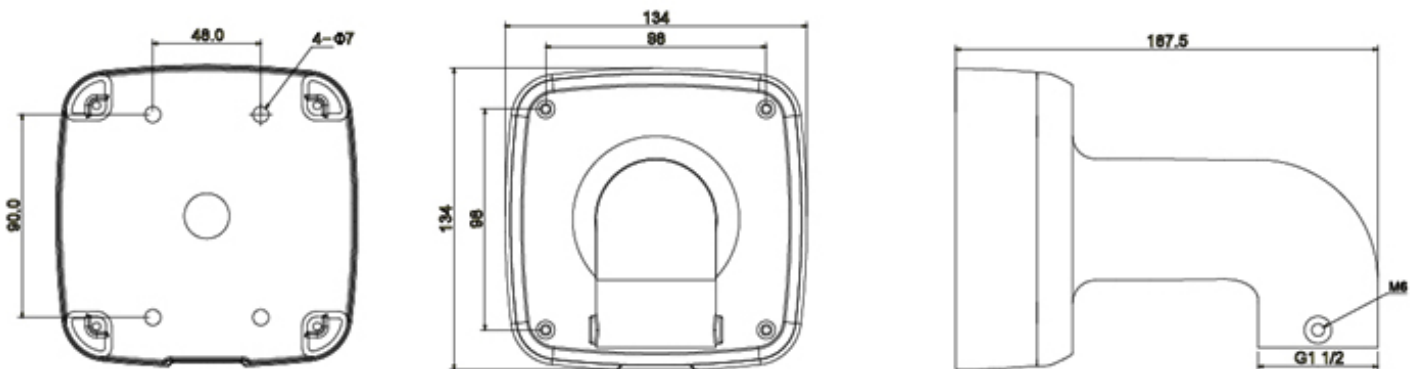


VIP Vision™ IP Surveillance Cameras
VSIP3/5MPVDIR/V2/M (requires VSBKTA100 adapter)



Securview Victory Series™ HD Over Coax Cameras
No compatible models.

Product Diagram



Your professional CCTV surveillance dealer: