

Right Angle Wall Mount Camera Bracket

Model: MB1043

Powder coated aluminium right angle wall mount bracket for surveillance cameras.

Model	MB1043
Materials	Aluminium
Dimensions	160 x 122 x 76mm
Pipe Thread	N/A
Operating Conditions	-40° ~ 60°C / 90% RH (max)
Load Bearing Capacity	1.00kg
Weather Resistance	Yes
Weight	0.57kg



Bracket Compatibility

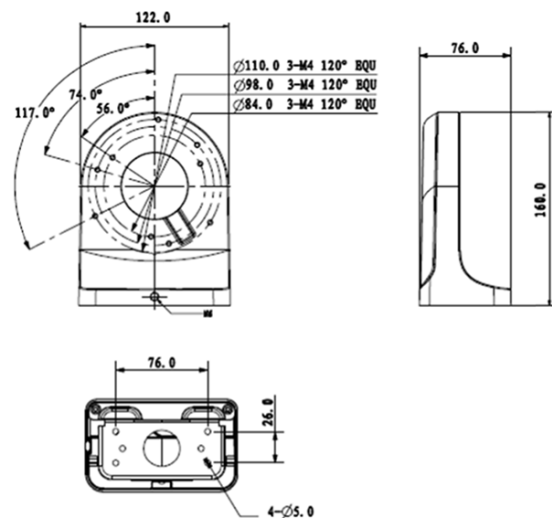
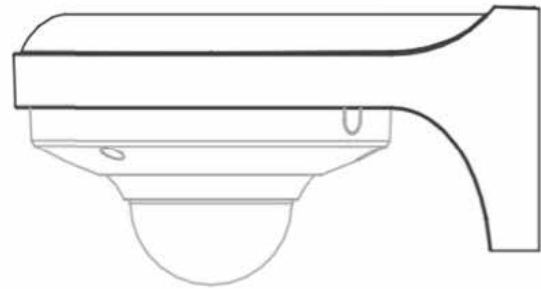
This bracket is compatible with the following cameras from VIP Vision and/or Securview Victory Series.



CAM406, CAM381,
CAM397



CAM601, CAM605,
CAM604,



Additional camera brackets, adapters, junction boxes or connectors may be required for camera compatibility. Please see full bracket compatibility reference for more detail.