

Rain Cover Dome Camera Bracket

Model: MB1056

Technical Specifications

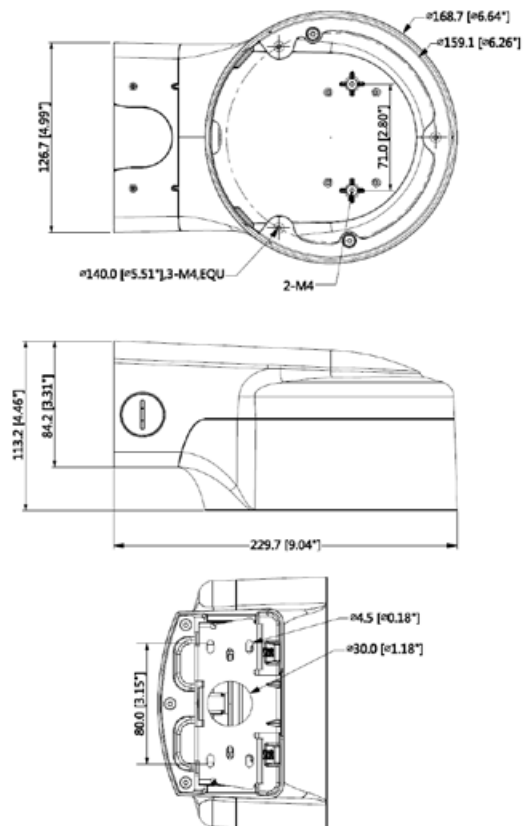
Aluminium right angle rain cover bracket which recesses the dome in order to prevent rain from obscuring the lens. Suitable for large domes from VIP Vision & Securview.

Model	MB1056
Materials	Aluminium
Dimensions	229.7 x 168.7 x 113.2mm
Pipe Thread	N/A
Operating Conditions	-40° ~ 60°C / 90% RH (max)
Load Bearing Capacity	3.00kg
Weather Resistance	Yes
Weight	0.93kg

Product specifications and bracket compatibility are subject to change.



Product Diagrams



Your professional CCTV surveillance dealer: