

# Adapter for Ceiling & Wall Mount Brackets

Model: **MB1060**

## Technical Specifications

Powder coated aluminium camera-bracket connector for use with **MB1057** and **MB1054**. Compatible with most small domes from VIP Vision & Securview; bracket lip provides some rain shielding.

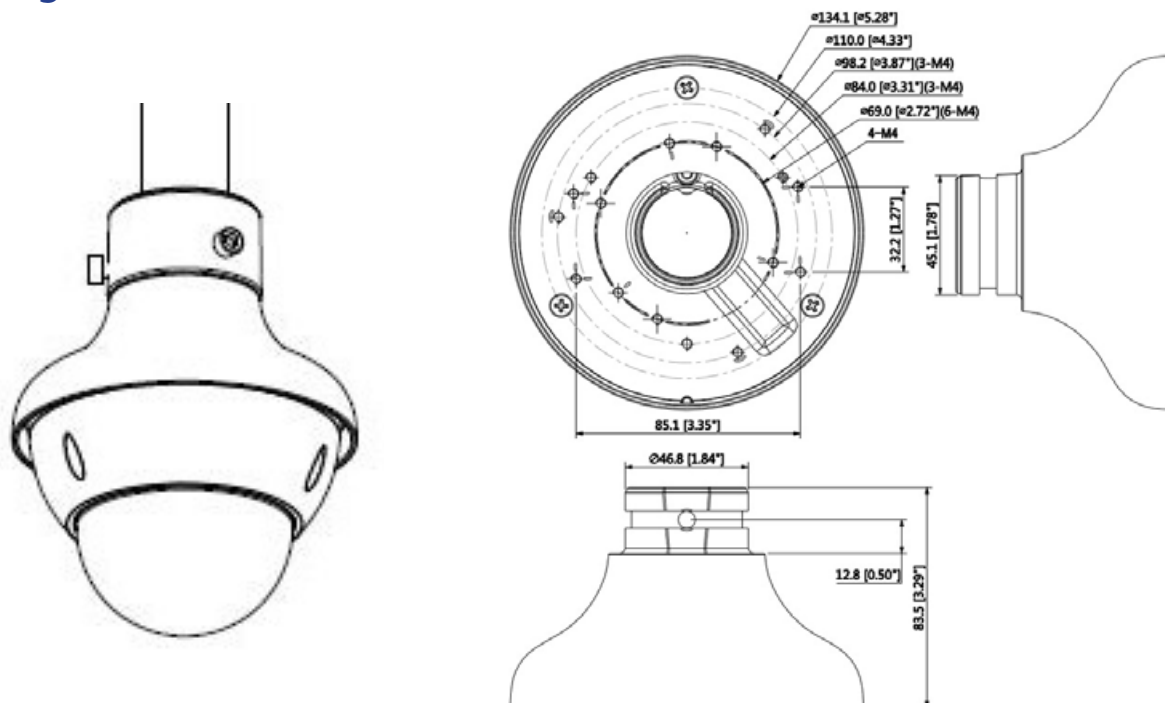
For use with the **MB1054** and **MB1057**.

Model	MB1060
Materials	Aluminium
Dimensions	Ø134.1 x 83.5mm
Pipe Thread	N/A
Operating Conditions	-40° ~ 60°C / 90% RH (max)
Load Bearing Capacity	1kg
Weather Resistance	N/A
Weight	1.0kg

Product specifications and bracket compatibility are subject to change.



## Product Diagrams



Your professional CCTV surveillance dealer: