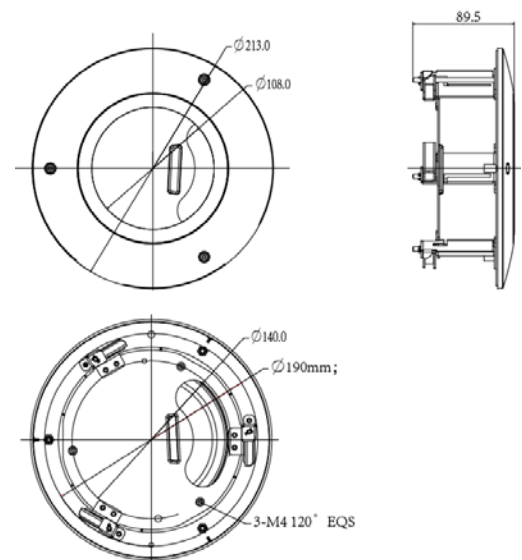
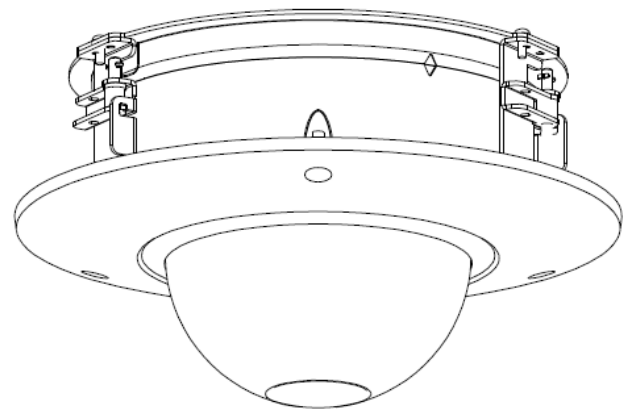


Recessed Ceiling Mount Bracket

Model: MB1062

Neat and Integrated recessed ceiling mounting bracket

Model	MB1062
Materials	SECC & PC
Dimensions	Ø211 x 88mm
Pipe Thread	N/A
Operating Conditions	-40° ~ 60°C / 90% RH (max)
Load Bearing Capacity	1.50kg
Weather Resistance	N/A
Weight	0.61kg



Additional camera brackets, adapters, junction boxes or connectors may be required for camera compatibility. Please see full bracket compatibility reference for more detail.

Your professional CCTV surveillance dealer: