

Adapter/Junction Box for Surveillance Cameras

Model: VSBKTA122

Technical Specifications

Aluminium adapter/junction box used as a spacer or as connector for pole mounts. Features rubber grommet weather seal.

| | |
|------------------------------|----------------------------|
| Model | VSBKTA122 |
| Materials | Aluminium |
| Dimensions | 134 x 134 x 55mm |
| Pipe Thread | N/A |
| Operating Conditions | -40° ~ 60°C / 90% RH (max) |
| Load Bearing Capacity | 3.00kg |
| Weather Resistance | IP66 rated |
| Weight | 0.50kg |



Product specifications and bracket compatibility are subject to change.

Bracket Compatibility

This bracket is compatible with the following cameras from VIP Vision and/or Securview Victory Series.



VIP Vision™ IP Surveillance Cameras

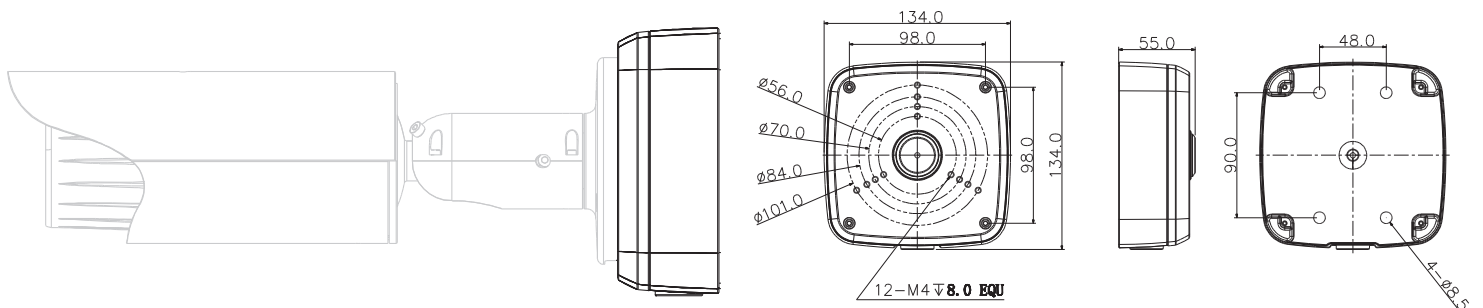
As junction box or as adapter for corner & pole mount brackets.
Compatible models: VSIP1/3MPDIR/V2, VSIP1/3MPVDMINIIRC,
VSIP1/MPFBIRM, VSIP3MPFBIRM2.8-12, VSIP1/3MPFBIR/MINIIR/V2.



Securview Victory Series™ HD Over Coax Cameras

As junction box or as adapter for ceiling & pole mount brackets.

Product Diagrams



Your professional CCTV surveillance dealer: